



## AQUAFINZ GLOSS FIBREGLASS SAND FILTER

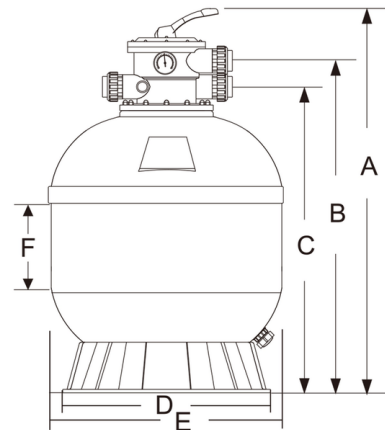
### AVAILABLE IN

DIAMETER O/D	PRODUCT CODE
<b>550</b>	<b>BBSF550</b>
<b>650</b>	<b>BBSF650</b>
<b>750</b>	<b>BBSF750</b>

### PRODUCT OVERVIEW

Our new Aquafinz Sand Filter with laminated fiberglass top mount filter is durable, corrosion-resistant and features a glossy finish in gel coat for a smooth and beautiful exterior. This collection of sand filters is the perfect choice for high-end villas and hotel pools, high-class spas and wellness pools, baths and fish ponds.

- Non corrosive gel coat fiberglass tank, smooth gloss finish.
- Equipped with a 1.5" or 2.0" six-position multiport valve.
- Universal standard of union connection provided.
- Max. working pressure 36 psi/2.5 bar.
- Max. temperature of 43°C(109°F)
- Suggested size of media: 0.5-0.8mm.



### TECHNICAL PARAMETERS

Model	Max flow rate		Filter area m <sup>2</sup>	Port size		Sand kg	Dimension(mm)					
	lpm	m <sup>3</sup> /h		inch	mm		A	B	C	D	E	F
<b>Multiport valve W 1.5</b>												
L550	167	10.00	0.20	1.5"	50	88	886	750	690	390	530	286
L650	275	16.50	0.33	1.5"	50	158	1000	850	790	500	640	318
<b>Multiport valve W 2.0</b>												
L750	366	22.00	0.44	2"	63	260	1170	1005	920	710	750	390